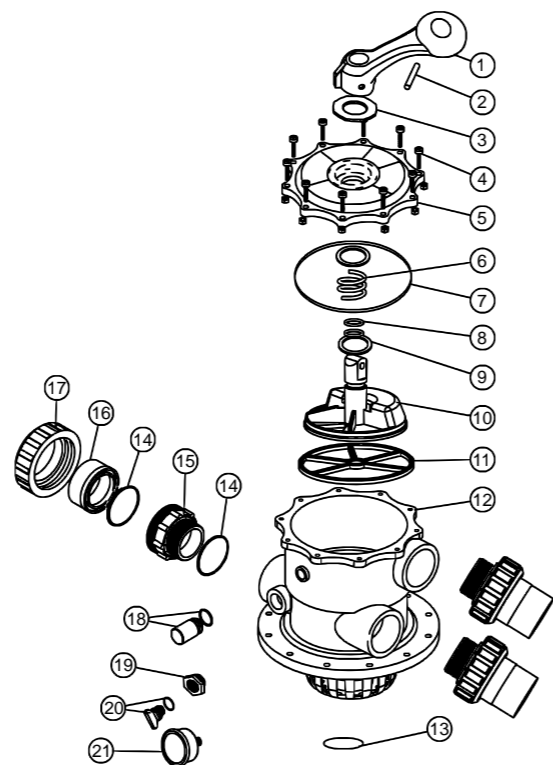


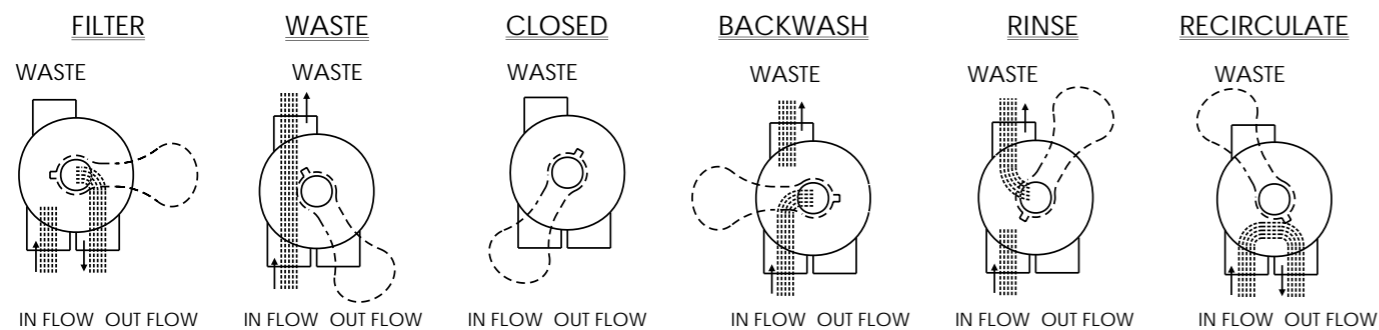
REPLACEMENT PARTS OF 2.0" MULTIPOINT VALVE (TMG750 / TMG900)

| Item | Part No. | Description | Qty |
|------|----------|---|-----|
| 1 | 01013003 | Handle (Big) | 1 |
| 2 | 03018008 | Pin for Handle | 1 |
| 3 | 01181027 | Washer for Handle | 1 |
| 4 | 89280301 | M6 x 32 Screw with Nut | 10 |
| 5 | 01013158 | 2.0" Top Mount Valve Standard Lid (Black) | 1 |
| 6 | 03014014 | Spring for Valve | 1 |
| 7 | 02011006 | O-Ring for 2.0" Top Mount Valve Lid | 1 |
| 8 | 02011022 | O-Ring for Valve Rotor | 2 |
| 9 | 01181002 | Washer for Spring | 2 |
| 10 | 01021002 | 2.0" Valve Rotor | 1 |
| 11 | 02311003 | Spider Gasket | 1 |
| 12 | E190220 | 2.0" Body with Diffuser (Black) | 1 |
| 13 | 02011005 | O-Ring for Diffuser | 1 |
| 14 | 02020016 | O-Ring for Connector | 6 |
| 15 | 01013031 | 2.0" Connector (Black) | 3 |
| 16 | 01171154 | 2.0" Union (A/E) | 3 |
| 17 | 01013032 | 2.0" Union Nut (Black) | 3 |
| 18 | 89280104 | Sight Glass with O-Ring | 1 |
| 19 | 89280120 | Drain Plug Fitting with O-ring | 1 |
| 20 | 89021307 | Drain Plug with O-ring | 1 |
| 21 | 06011029 | Oil Pressure Gauge with O-ring | 1 |



FUNCTIONS OF VALVE POSITIONS

| Valve Position | Function |
|----------------|---|
| FILTER | Normal Filtration and Vacuuming |
| BACKWASH | Cleaning Filter by reversing the flow |
| RINSE | Used after backwash to flush dirt from valve |
| WASTE | By-passes filter, used for vacuuming to waste or lowering water level |
| RECIRCULATE | By-passes filter for circulating water to pool |
| CLOSED | Shuts off all flow to filter or pool |



WARNING

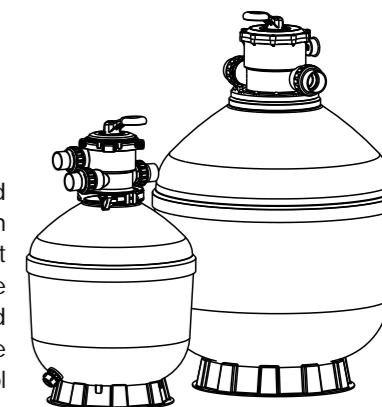
- ⚠ THIS FILTER OPERATES UNDER HIGH PRESSURE. WHEN ANY PART OF THE CIRCULATING SYSTEM (e.g., CLAMP, PUMP, FILTER, VALVES, ETC.) IS SERVICED, AIR CAN ENTER THE SYSTEM AND BECOME PRESSURIZED. PRESSURIZED AIR CAN CAUSE THE LID OR VALVE TO BE BLOWN OFF WHICH CAN RESULT IN SEVERE INJURY, DEATH, OR PROPERTY DAMAGE.
- ⚠ TURN PUMP OFF BEFORE CHANGING VALVE POSITION.
- ⚠ TO PREVENT DAMAGE TO THE PUMP AND FOR PROPER OPERATION OF THE SYSTEM, CLEAN PUMP STRAINER AND SKIMMER BASKETS REGULARLY.
- ⚠ DO NOT UNSCREW SCREWS OF FLANGE CLAMP WHILE PUMP IS RUNNING.
- ⚠ UNDER LOW TEMPERATURE SHUT OFF CONDITION, IT IS STRONGLY RECOMMEND TO TURN TO WINTERISE POSITION AND DISCHARGE ALL THE WATER INSIDE FILTER THROUGH THE BOTTOM DRAIN.

TMG SERIES GEL-COAT FILTER USER MANUAL

Models: TMG500 / TMG650 / TMG650(B) / TMG750 / TMG900

FUNCTION

The filter uses special filter sand to remove dirt particles from pool water. The filter sand is loaded into the filter tank and functions as a permanent dirt removing media. When the control valve is in the FILTER position, the pool water which contains suspended dirt particles, is pumped through your piping system and is automatically directed by the patented filter control valve to the top of the filter tank. As the pool water is pumped through the filter, dirt particles are trapped by the sand bed, and filtered out. The cleaned pool water is returned from the bottom of the filter tank, through the control valve and back to the pool through the piping system. This entire sequence is continuous and automatic. It provides for total recirculation of pool water through your filter and piping system.



After a period of time, the accumulated dirt in the filter causes a resistance to flow, and the flow diminishes. This means it is time to clean your filter. With the control valve in the BACKWASH position, the water flow is automatically reversed through the filter so that it is directed to the bottom of the tank, up through the sand, flushing the previously trapped dirt and debris out the waste line. Once the filter is back-washed of dirt, set control valve to RINSE position and run pump for about 1/2 to 1 minute, and then set the control valve in the FILTER position, to resume normal filtering.

NOTE: Turn pump off before changing valve position.

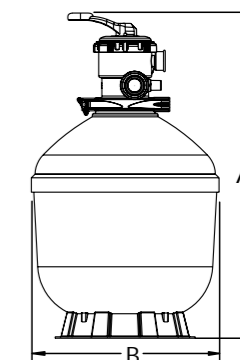
INSTALLATION

Only simple tools (screwdriver and wrenches), plus pipe sealant for plastic adapters, are required to install and service the filter.

- 1) The filters should be placed on a level concrete slab, very firm ground, or equivalent. The filters should be placed
- 2) Loading the sand media. Filter sand media is loaded through the top opening of the filter.
 - a) Loosen the flange clamp and remove filter control valve (if previously installed).
 - b) Cap internal pipe with plastic cap to prevent sand from entering it.
 - c) We recommend filling the tank approximately 1/2 way with water to provide a cushion effect when the filter sand is poured in. This helps protect the under-drain laterals from excessive shock.
 - d) Carefully pour in correct amount and grade of filter sand. (Be sure center pipe remains centered in opening.) Sand surface should be leveled and should come to about the middle of the filter tank. Remove plastic cap from internal pipe.
- 3) Assemble filter control valve into the filter tank.
 - a) Insert filter control valve (with O'ring in place) into the tank neck, taking care that the center pipe slips into the hole in the bottom of the valve.
 - b) Place two plastic clamps around valve flange and tank flange and tighten just enough so that the valve may be rotated on tank for final positioning.
 - c) Carefully screw pressure gauge (with O'ring in place) into tapped hole in valve body. Do not over-tighten.
 - d) Connect pump to control valve opening marked PUMP. After connections are made, tighten valve flange clamps with screwdriver, tapping around clamp with screwdriver handle to help seat valve flange clamp.
- 4) Make return to pool pipe connection to control valve opening marked RETURN and complete other necessary plumbing connections, suction lines to pump, waste, etc.
- 5) Make electrical connections to pump per pump instructions.
- 6) To prevent water leakage, make sure all pipe connections are tight.

DIMENSIONS

| Model | Height(A) mm | Diameter(B) mm | Valve Port Size Inch | Sand kg |
|-----------|-----------------|-------------------|-------------------------|------------|
| TMG500 | 886 | 500 | 1.5" | 88 |
| TMG650 | 998 | 650 | 1.5" | 158 |
| TMG650(B) | 1034 | 650 | 2.0" | 158 |
| TMG750 | 1159 | 750 | 2.0" | 260 |
| TMG900 | 1294 | 900 | 2.0" | 422 |



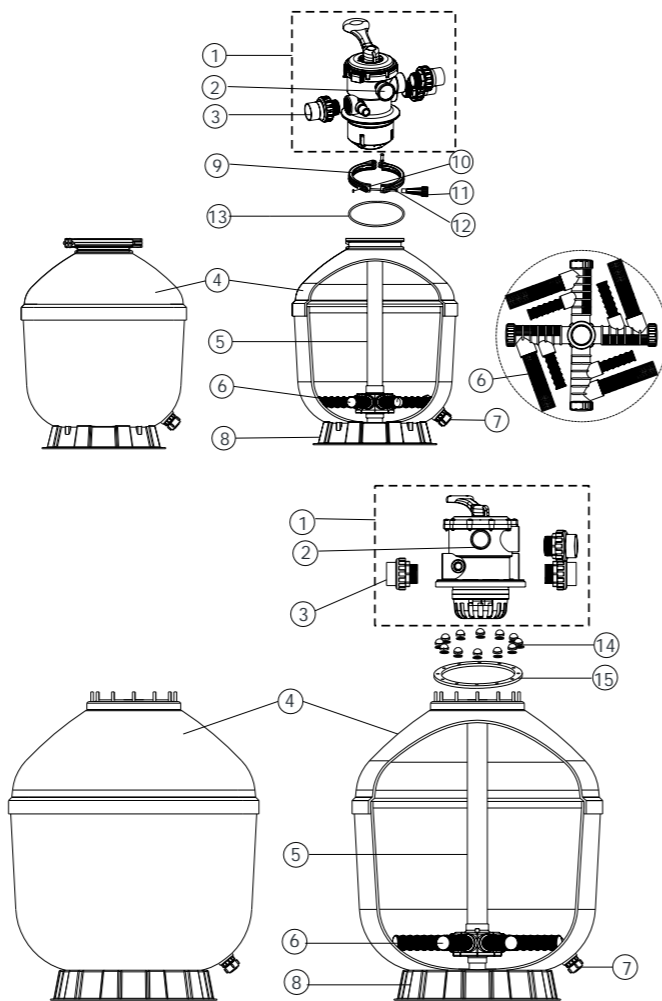
INSTALL/START-UP OF FILTER

- 1) Make sure the correct amount of filter media sand is located in the tank and all connections have been connected and secured.
- 2) Depress control valve handle and rotate to BACKWASH position. (To prevent damage to control valve seal, always depress handle before turning.)
- 3) Prime and start pump according to pump instructions (be sure all suction and return lines are open), allowing the filter tank to fill with water. Once water is flowing out of the waste line, run the pump for at least 1 minute. The initial back-washing of the filter is recommended to remove any impurities or fine sand particles in the sand media.
- 4) Turn pump off and set valve to RINSE position. Start pump and operate until water in sight glass is clear, about 1/2 to 1 minute. Turn pump off and set valve to FILTER position and restart pump. The filter is now operating in the normal filter mode, filtering dirt particles from the pool water.
- 5) Adjust pool suction and return valves to achieve desired flow. Check system and filter for water leaks and tighten connections, bolts, nuts, as required.
- 6) Note the initial pressure gauge reading when the filter is clean. (It will vary from pool to pool depending upon the pump and general piping system.) As the filter removes dirt and impurities from the pool water, the accumulation of dirt in the filter will cause the pressure to rise and diminish the water flow. When the pressure gauge reading is 1.5 bar, higher than the initial "clean" pressure you noted, it is time to backwash the filter (see BACKWASH under filter and control valve functions).

NOTE: During initial clean-up of the pool water it may be necessary to backwash frequently due to the unusually heavy initial dirt load in the water.

REPLACEMENT PARTS OF FILTER

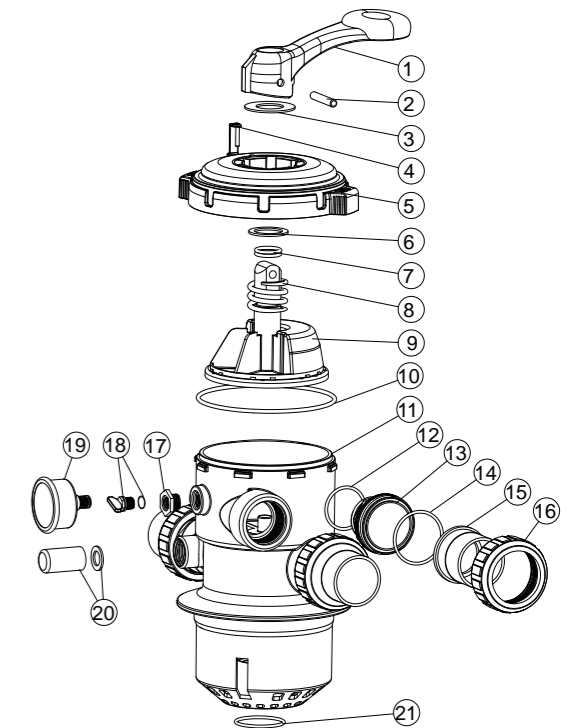
| Key No. | Part No. | Description | Qty |
|---------|-----------|---|-----|
| 1 | 88281550B | 6 Way 1.5" Valve (Black) with union set (Top Mount) | 1 |
| 1 | 88281551B | 6 Way 2" Valve (Black) with union set (Clamp type) | 1 |
| 1 | 88280356 | 6 Way 2" Valve (Black) with piping, union set (Top Mount) | 1 |
| 2 | 06011029 | Oil Pressure Gauge with O-Ring (40Psi) | 1 |
| 3 | 89280102B | 1.5" union set (Black) with O-ring | 3 |
| 3 | 89280103B | 2" union set (Black) with O-ring | 3 |
| 4 | 89010657 | Filter Tank with base for TMG500 | 1 |
| 4 | 89010658 | Filter Tank with base for TMG650 | 1 |
| 4 | 89010659 | Filter Tank with base for TMG650B | 1 |
| 4 | 89010660 | Filter Tank with base for TMG750 | 1 |
| 4 | 89010661 | Filter Tank with base for TMG900 | 1 |
| 5 | 89010662 | Lateral Assembly with Centre Pipe for TMG500 | 1 |
| 5 | 89010663 | Lateral Assembly with Centre Pipe for TMG650 | 1 |
| 5 | 89010664 | Lateral Assembly with Centre Pipe for TMG650B | 1 |
| 5 | 89010665 | Lateral Assembly with Centre Pipe for TMG750 | 1 |
| 5 | 89010666 | Lateral Assembly with Centre Pipe for TMG900 | 1 |
| 6 | 01172007 | Laterals (115mm) | * |
| 6 | 01172008 | Laterals (126mm) | * |
| 6 | 01172010 | Laterals (185mm) | * |
| 7 | 89011601 | Water Drain Set | 1 |
| 8 | 01112074 | Filter Base (D500*89) | 1 |
| 8 | 01112075 | Filter Base (D390*73) | 1 |
| 9 | 03021035 | M6 Nut | 1 |
| 10 | 89012512 | Clamp Kit | 1 |
| 11 | 01111101 | Star-Shaped Nut | 1 |
| 12 | 03011166 | M6x110mm Screws | 1 |
| 13 | 02010007 | O-Ring | 1 |
| 14 | 89010601 | Nut with Washer | 1 |
| 15 | 02011126 | Filter Neck Gasket | 1 |



Notes:
 TMG500 should have 8pcs of Lateral (115mm)
 TMG650 should have 8pcs of Lateral (126mm)
 TMG650B should have 4pcs of Laterals (115mm) & 4pcs of (126mm)
 TMG750 and TMG 900 should have 8 pcs of Laterals (185mm)

REPLACEMENT PARTS OF 1.5" MULTIPOINT VALVE (TMG500 / TMG650)

| Item | Part No. | Description | Qty |
|------|----------|-------------------------------------|-----|
| 1 | 01013003 | Handle (Big) | 1 |
| 2 | 03018008 | Pin for Handle | 1 |
| 3 | 01181027 | Washer for Handle | 1 |
| 4 | 01181029 | Defend Lock | 1 |
| 5 | 01020003 | 1.5" Lid | 1 |
| 6 | 01181002 | Washer for Spring | 1 |
| 7 | 02011022 | O-Ring for Valve Rotor | 2 |
| 8 | 03014001 | Spring | 1 |
| 9 | 89280701 | 1.5" Valve Rotor with Spider Gasket | 1 |
| 10 | 02010002 | O-Ring for Lid | 1 |
| 11 | E190136 | 1.5" Body with Diffuser | 1 |
| 12 | 02020013 | O-Ring for 1.5"Connector | 3 |
| 13 | 01013015 | 1.5" Connector (Black) | 3 |
| 13 | 01051013 | 1.5" Connector (White) | 3 |
| 14 | 02011003 | O-Ring for 1.5" Adaptor | 3 |
| 15 | 01171153 | 1.5" Union (A/E) | 3 |
| 16 | 01013017 | 1.5" Union Nut (Black) | 3 |
| 16 | 01051014 | 1.5" Union Nut (white) | 3 |
| 17 | 89280120 | Drain Plug Fitting with O-ring | 1 |
| 18 | 89021307 | Drain Plug with O-Ring | 1 |
| 19 | 06021013 | Pressure Gauge with O-Ring (40Psi) | 1 |
| 20 | 89280104 | Sight Glass with O-Ring | 1 |
| 21 | 02011001 | O-Ring for Diffuser | 1 |



REPLACEMENT PARTS OF 2" MULTIPOINT VALVE (TMG650(B))

| Item | Part No. | Description | Qty |
|------|----------|--|-----|
| 1 | 01013003 | Handle (Big) | 1 |
| 2 | 03018008 | Pin for Handle | 1 |
| 3 | 01181027 | Washer for Handle | 1 |
| 4 | 01181028 | Defend Lock | 1 |
| 5 | 01020009 | 2.0" Lid | 1 |
| 6 | 01181002 | Washer for Spring | 1 |
| 7 | 02011022 | O-Ring for Valve Rotor | 2 |
| 8 | 03014014 | Spring for Valve | 1 |
| 9 | 89280805 | 2.0" Valve Rotor with Spider Gasket | 1 |
| 10 | 02010003 | O-Ring for Lid | 1 |
| 11 | E190213 | 2.0" Body with Diffuser | 1 |
| 12 | 89280120 | Drain Plug Fitting with O-ring | 1 |
| 13 | 89021307 | Drain Plug with O-Ring | 1 |
| 14 | 06011029 | Oil Pressure Gauge with O-Ring (40Psi) | 1 |
| 15 | 02020016 | 1.5" Union Nut (Black) | 6 |
| 16 | 01013031 | 2.0" Connector (Black) | 3 |
| 17 | 01171154 | 2.0" Union (A/E) | 3 |
| 18 | 01013032 | 2.0" Union Nut (Black) | 3 |
| 19 | 89280104 | Sight Glass with O-Ring | 1 |
| 20 | 02011005 | O-Ring for Diffuser | 1 |

